



Feature -
rotary switch with center push function
bi-color LED illuminated available

Application -
consumer products
audio / video products
instrumentation
communication equipments

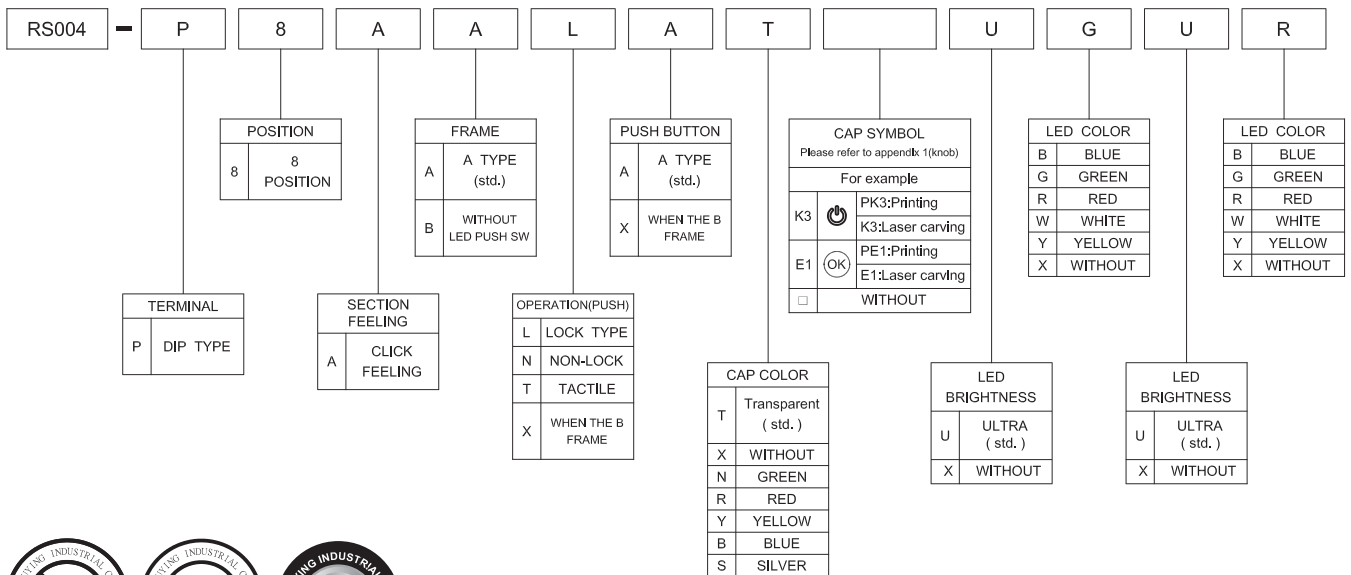
► SPECIFICATIONS

SWITCH SPECIFICATIONS	
POLE - POSITION	ROTARY SWITCH : 1P8T PUSH SWITCH : 1P2T or 2P2T
CONTACT RATING	30 V DC , 0.1A / 5V DC , 0.1mA
CONTACT RESISTANCE	200 mΩ MAX. 5 V DC ; 100 mA by Method of Voltage DROP
INSULATION RESISTANCE	100 MΩ MIN . 500 V DC for 1 minute
DIELECTRIC STRENGTH	Breakdown is not Allowable 100 V AC for 1 Minute
OPERATING FORCE	ROTARY SWITCH : 250 ±100 gf.cm PUSH SWITCH : 250 ±100 gf
OPERATING LIFE	With movement click feeling : 10,000 cycles
OPERATING TEMPERATURE RANGE	-20°C ~ 70°C

LED SPECIFICATIONS		Value / LED Color				
ATTENTION	Unit	Blue	Green	Red	White	Yellow
		FORWARD CURRENT	10	20	20	2
REVERSE VOLTAGE	5.0	5.0	5.0	5.0	5.0	
REVERSE CURRENT	10	10	10	10	10	
FORWARD VOLTAGE	2.1-2.5	2.0-2.5	2.8-4.0	2.0-2.5	2.0-2.5	
LUMINOUS INTENSITY	800	1800	12	1800	1800	

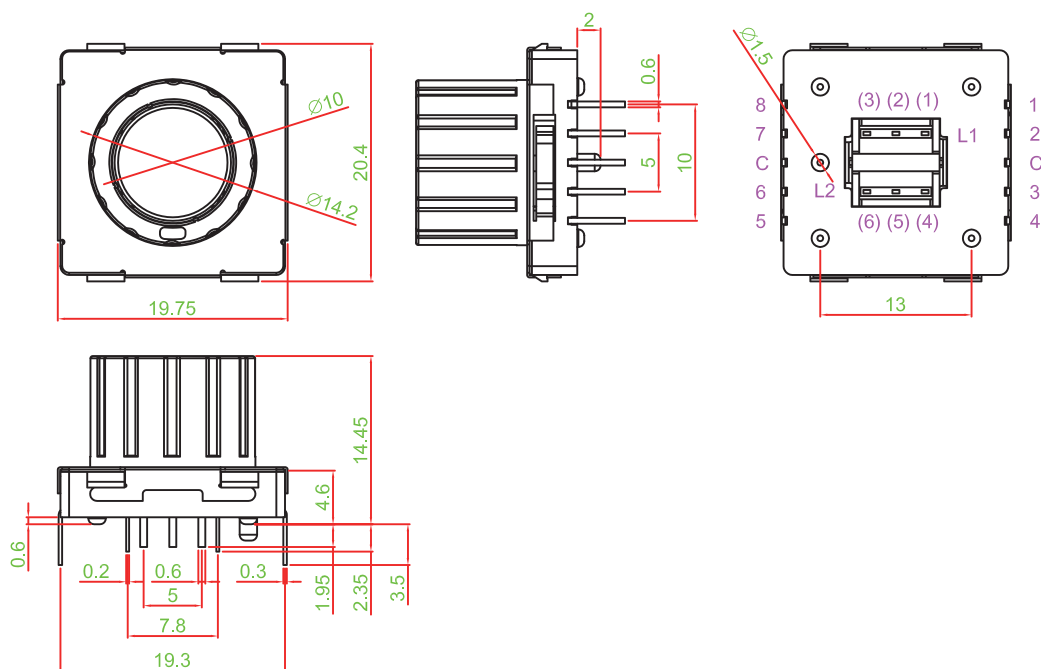
■ Physical and electrical information of LED will be provided upon customer's request on switches.

► HOW TO ORDER

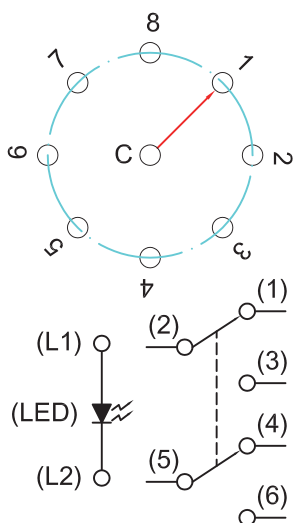


▶ DIMENSION

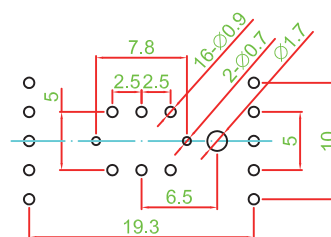
RS004-P8AALAT □ □ □ □



▶ CIRCUIT



▶ P.C.B. LAYOUT



▶ MATERIAL

- COVER : PC
- FRAME : STAINLESS STEEL
- ACTUATOR : PA + GF
- BASE : PA + GF
- TERMINAL : BRASS ; SILVER PLATING
- MOVING CONTACT : PHOSPHOR BRONZE SILVER PLATING

	0	1	2	3	4	5	6	7	8	9	10	11	12	13	14	15	16	17	18	19		
A	0	1	2	3	4	5	6	7	8	9	10	11	12	13	14	15	16	17	18	19		
B	A	B	C	D	E	F	G	H	I	J	CH5	CH6	DSK	PIP	C-KEY	CUT	TAKE	REC	ENG	PROD		
C	K	L	M	N	O	P	Q	R	S	T	REPLAY	RET1	RET2	KEY ON	AUTO TAKE							
D	U	V	W	X	Y	Z	POWER	ON OFF	ON	OFF		USER A	USER B	USER C	USER D	USER E	USER F	USER G	USER H	USER I		
E	OK		Auto	Enter	Start	STOP	OPEN	CLOSE	Exit	Move	USER J									M-1		
F	SET	Reset	Light	Alarm	Menu	Next	Back	Delete	Motor	Save												
G	Up	Down	Right	Left	Test	End	Insert	Lock	Print	+/-							IN PORT	SOS		TC		
H	ESC	BC.	HOME	Health	D-LED 2	OC GENE	VIDEO INPUT	clr CMOS	Green Power	Save OK	P1	P2	P3	P4	P5	DC	AC			TURBO		
I				F1	F2	F3	F4	F5	F6	F7	SEEK	TRACK	RNA	AS/RPT	Select		SET	ON	OFF	UP		
J	F8	F9	F10	F11	F12	F13	F14	IN 1	IN 2	IN 3						ON AIR		D.	M.			
K	IN 4	IN 5	IN 6																			
L	+	-	x		=									MON	ITEM	C/S	GAS	PUMP ON/OFF	PURGE	R/HR	PARL	IOD
M																						
N																						
O																						
P											Config.	TIME LINE	ME1	ME2								
Q	ME3	ME4	BOND 3D DVE1	BOND 3D DVE2	BUS COLOR	ME BUTTON LINK	*	INSERT	WIPE													
R		ALL		VP		COPY		RECORD MODE														
S			MUTE																			
T		hold	group	m1	m2	m3	m4	m5	t1	t2												
U	s1	s2	chair	undo	redo	touch	store	recall	e1	e2												
V	e3	e4	OC			CLEAR	CROSS WIND	AMMO TEMP	BARO PERSS	AIR TEMP												
W	BORE-SIGHT	CANT	LEAD	RANGE	MRS	ZERO	TEST	UD	LR													
X	ID	Disp	M/F	CALL	.	BAND	SETUP	MODE	LINK	FUNC.												
Y	SHIFT					DEL																
Z			T	RUN	2D	3D	CH1	CH2	CH3	CH4												